

STANDARD SETTING

transmitter control
receiver control
terminator
hold line pull-up, pull-down

RTS log 1
RTS log 0
120 Ω
connected



TECHNICAL PARAMETERS

maximal transfer rate	115 kBd
maximal line length	1 200 m
galvanic separation	1 kV
overvoltage (soft) protection – line RS485	400W/1ms
overvoltage (soft) protection – power supply	600W/1ms
power supply polarity inversion protection	diode
optical indication	RxD, PWR
terminator	120 Ω
connector RS232c	D-SUB 9pin F
connector RS485	screw
power supply	12V DC +/-10%
power consumption	max 1.1 W
operating temperature	0 to 70 °C
storage temperature	-40 to 80 °C
dimensions (l x h x b)	69 x 18 x 55 mm
automatic detection „INVALID RS232“ – while there is undefined level on pin TxD converter make transmitter of RS485 inactiv (WATCHDOG)	



WARRANTY CONDITIONS

ComErgon provides full warranty of 12 month for serial interface module MINI 2.3/485 starting on the day of purchase.

The warranty is except for the cases in which the functioning of the module has been affected by faulty manipulation, natural catastrophes or other external factors.

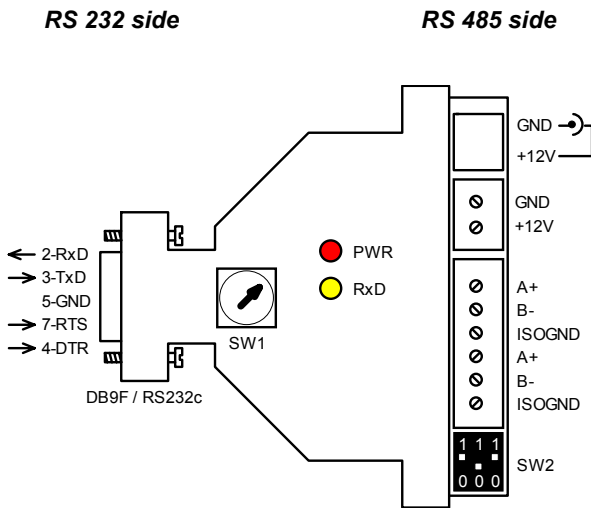


tel.: +421-2- 4445 8783
tel./ fax.: +421-2- 4425 9006

Pionierska 15, 831 02 Bratislava
Slovak Republic
e-mail: service@comergon.sk
[http: www.comergon.sk](http://www.comergon.sk)



LAYOUT OF SWITCHES AND CONNECTORS



SELECTION OF OPERATING MODES – rotary switch

SW1	TRANSMITTER CONTROL	RECEIVER CONTROL
0. 8	RTS log1 (< -3V)	RTS log0 (> +3V)
1. 9	RTS log0	RTS log1
2	DTR log1	DTR log0
3	TxD	inverse to TxD
4	RTS log1	permanent
5	RTS log 0	permanent
6	DTR log1	permanent
7	TxD	permanent
SW2 - TERMINATOR, HOLD LINE		
1	ON	terminator 120 Ω
2	ON	hold line – pull up
3	ON	hold line – pull down

CONFIGURATION OF RS485 LINE

